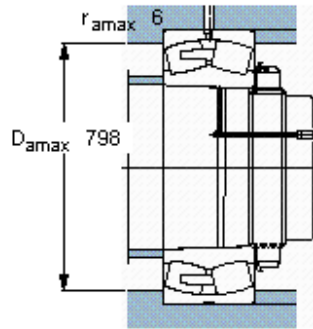
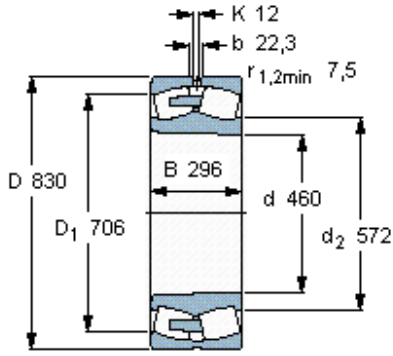


Spherical roller bearings, cylindrical and tapered bore

Principal dimensions			Basic load ratings		Speed ratings	Limiting speed	Designation
d	D	B	dynamic C	static C0	Reference speed		<b>* SKF Explorer bearing</b>
mm			kN		r/min		-
<b>460</b>	830	296	8958	13700	400	560	23292 CAK/W33 *



Tapered bore, taper  
1: 12

- Calculation factors**
- e 0,35
  - Y<sub>1</sub> 1,9
  - Y<sub>2</sub> 2,9
  - Y<sub>0</sub> 1,8